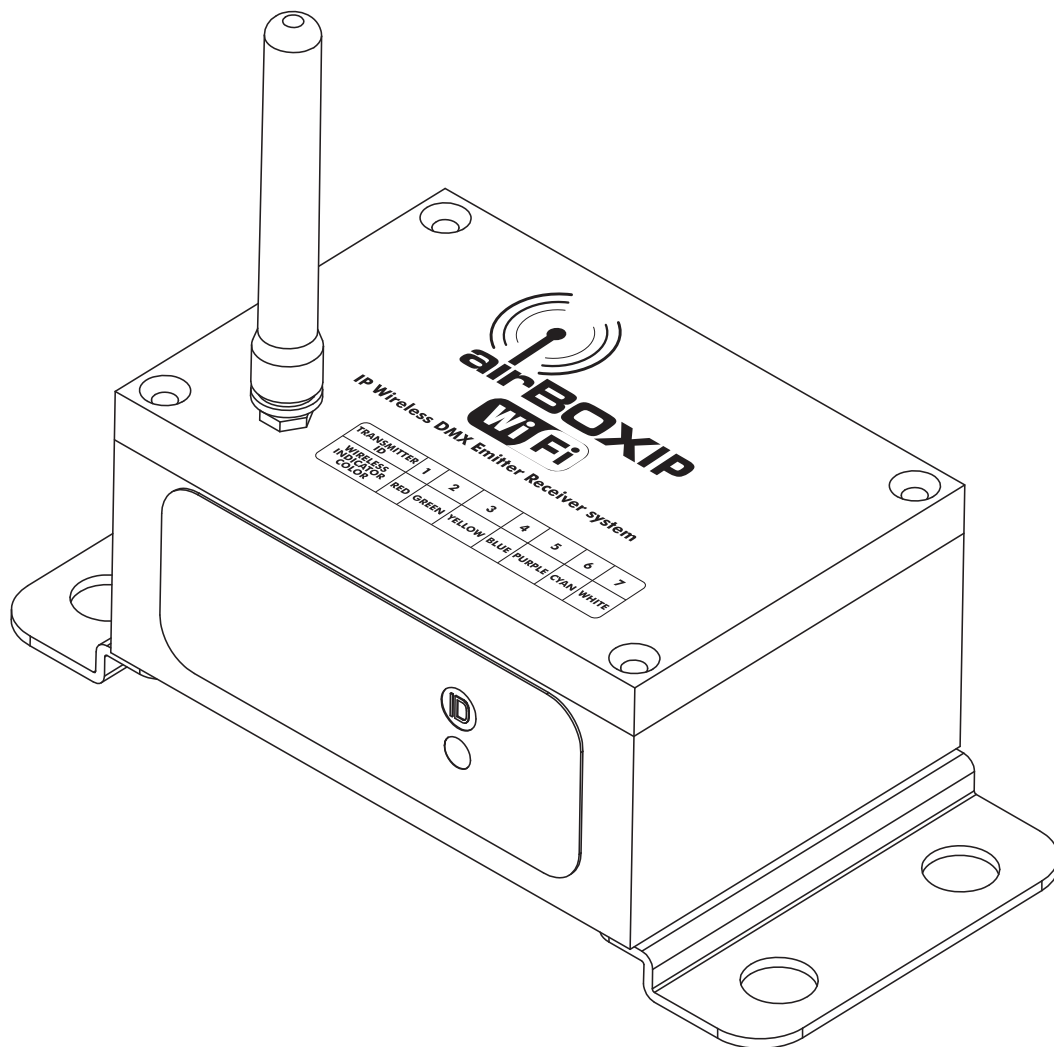


BOÎTIER DMX SANS FIL ÉTANCHE ÉMETTEUR ET RÉCEPTEUR WIFI (AIRDMX)
WATERPROOF WIRELESS DMX TRANSMITTER OR RECEIVER BOX (AIRDMX)

Contest[®] 



USER GUIDE
H11032 - Version 1-01/2019

1 - Safety information

Important safety information



This unit is intended for indoor use only. Do not use it in a wet, or extremely cold/hot locations. Failure to follow these safety instructions could result in fire, electric shock, injury, or damage to this product or other property.



This product contains non-isolated electrical components. Do not undertake any maintenance operation when it is switched on as it may result in electric shock.



Any maintenance procedure must be performed by a CONTEST authorised technical service. Basic cleaning operations must thoroughly follow our safety instructions.

CAUTION
RISK OF ELECTRIC SHOCK
DO NOT OPEN

WARNING : This unit contains no user-serviceable parts. Do not open the housing or attempt any maintenance by yourself. In the unlikely even your unit may require service, please contact your nearest dealer. In order to avoid any electrical malfunction, please do not use any multi-socket, power cord extension or connecting system without making sure they are perfectly isolated and present no defect.

Risk of electrocution

To prevent the hazard of electric shocks, do not use extension cords, multi-socket or any other connection system without making sure metal parts completely are out of reach.

Recycling your device

- As HITMUSIC is really involved in the environmental cause, we only commercialise clean, ROHS compliant products.
- When this product reaches its end of life, take it to a collection point designated by local authorities. The separate collection and recycling of your product at the time of disposal will help conserve natural resources and ensure that it is recycled in a manner that protects human health and the environment.

Symbols used



This symbol signals an important safety precaution.



The CAUTION symbol signals a risk of product deterioration.



The WARNING symbol signals a risk to the user's physical integrity. The product may also be damaged.

Note : The legislation requires that every device set up in a public space features a double fixation bracket. This security system must hold 10 times the weight of the device.

Instructions and recommendations

1 - Please read carefully :

We strongly recommend to read carefully and understand the safety instructions before attempting to operate this unit.

2 - Please keep this manual :

We strongly recommend to keep this manual with the unit for future reference.

3 - Operate carefully this product :

We strongly recommend to take into consideration every safety instruction.

4 - Follow the instructions:

Please carefully follow each safety instruction to avoid any physical harm or property damage.

5 - Avoid water and wet locations :

Do not use this product in rain, or near washbasins or other wet locations.

6 - Installation :



We strongly encourage you to only use a fixation system or support recommended by the manufacturer or supplied with this product. Carefully follow the installation instructions and use the adequate tools.

Always ensure this unit is firmly fixed to avoid vibration and slipping while operating as it may result in physical injury.

7 - Ceiling or wall installation :

Please contact your local dealer before attempting any ceiling or wall installation.

8 - Ventilation :

The cooling vents ensure a safe use of this product, and avoid any overheating risk.

Do not obstruct or cover these vents as it may result in overheating and potential physical injury or product damage. This product should never be operated in a closed non-ventilated area such as a flight case or a rack, unless cooling vents are provided for the purpose .

9 - Heat exposure :



Sustained contact or proximity with warm surfaces may cause overheating and product damages. Please keep this product away from any heat source such as a heaters, amplifiers, hot plates, etc...

10 - Electric power supply :

This product can only be operated according to a very specific voltage. These information are specified on the label located at the rear of the product.

11 - Power cords protection:

Power-supply cords should be routed so that they are not likely to be walked on or pinched by items placed upon or against them, paying particular attention to cords at lugs, convenience receptacles and the point where they exit from the fixture.

12 - Cleaning precautions :



Unplug the product before attempting any cleaning operation. This product should be cleaned only with accessories recommended by the manufacturer. Use a damp cloth to clean the surface. Do not wash this product.

13 - Long periods of non use :



Disconnect the unit's main power during long periods of non use.

14 - Liquids or objects penetration :



Do not let any object penetrate this product as it may result in electric shock or fire.

Never spill any liquid on this product as it may infiltrate the electronic components and result in electric shock or fire.

15 - This product should be serviced when :



Please contact the qualified service personnel if :

- The power cord or the plug has been damaged.
- Objects have fallen or liquid has been spilled into the appliance.
- The appliance has been exposed to rain or water.
- The product does not appear to operate normally.
- The product has been damaged.

16 - Inspection/maintenance :



Please do not attempt any inspection or maintenance by yourself. Refer all servicing to qualified personnel.

17 - Operating environment :

Ambient temperature and humidity: +5 - +35°C, relative humidity must be less than 85% (when cooling vents are not obstructed).

Do not operate this product in a non-ventilated, very humid or warm place.

2 - Introduction

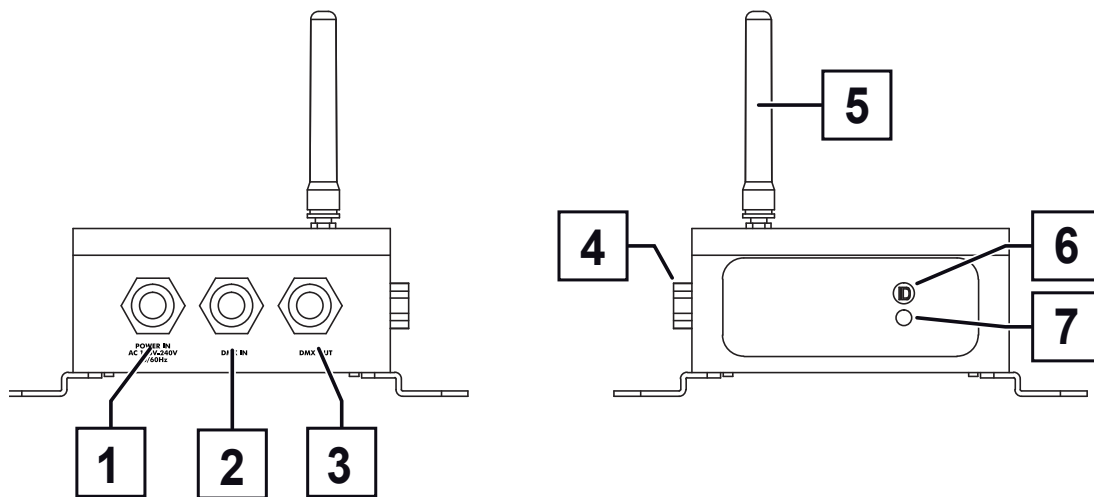
Thank you for purchasing the AirBoxIP.

You now have in your possession a high-quality product, that, we are sure will meet your needs.

The AirBoxIP allows the transmission/reception of any airDMX signal. As soon as an incoming wireless signal is detected, the AirBoxIP will automatically enter the transmitter mode to convert the signal into a wireless signal. In reception mode, it transmits the airDMX signal via its DMX output and transforms any DMX projector group into airDMX compatible devices.

3 - Description and installation

3.1 - Description



1 Power input/output sockets

Allows you to connect the device to an electrical outlet and daisy chain other units.

Please make sure the voltage delivered by the electrical outlet is compatible with the AirBoxIP.

2 DMX input

3-pin XLR plugs hardwired as follows :

- Mass: 1
- Negative signal: 2
- Positive signal: 3

Use the DMX input to transmit an incoming DMX signal from a DMX console or any other transmitter to the AirBoxIP.

3 DMX output

3-pin XLR plugs hardwired as follows :

- Mass: 1
- Negative signal: 2
- Positive signal: 3

Use the DMX output to send the DMX signal to another device.

4 Release valve

Temperature variations during use and inactivity periods affect the internal pressure.

5 Antenna

This antenna provides a better signal range.

6 ID SELECTOR button

Allows you to choose the WiFi channel used by the device.

7 channels are available. The LED ID has a different colour for each channel. Refer to paragraph 6.2 for more details.

7 LED Wireless Indicator

This LED flashes in red when the wireless DMX function is activated. It also allows you to visualise which channel is currently used.

3.2 - Installation

The WiFi transmission system allows you to synchronise several units without using any DMX cable. You can synchronise several units by using the master/slave mode or like any regular DMX daisy-chaining installation.

The units must use the same communication channel to be synchronised. To do so, use the ID SELECTOR button and choose one of the 7 available channels. The LED ID will light on with a different colour for each channel.

You will find below the channels and their corresponding colour:

| Channel 1 | Channel 2 | Channel 3 | Channel 4 | Channel 5 | Channel 6 | Channel 7 |
|-----------|-----------|-----------|-----------|-----------|-----------|-----------|
| Red | Green | Yellow | Blue | Purple | Cyan | White |

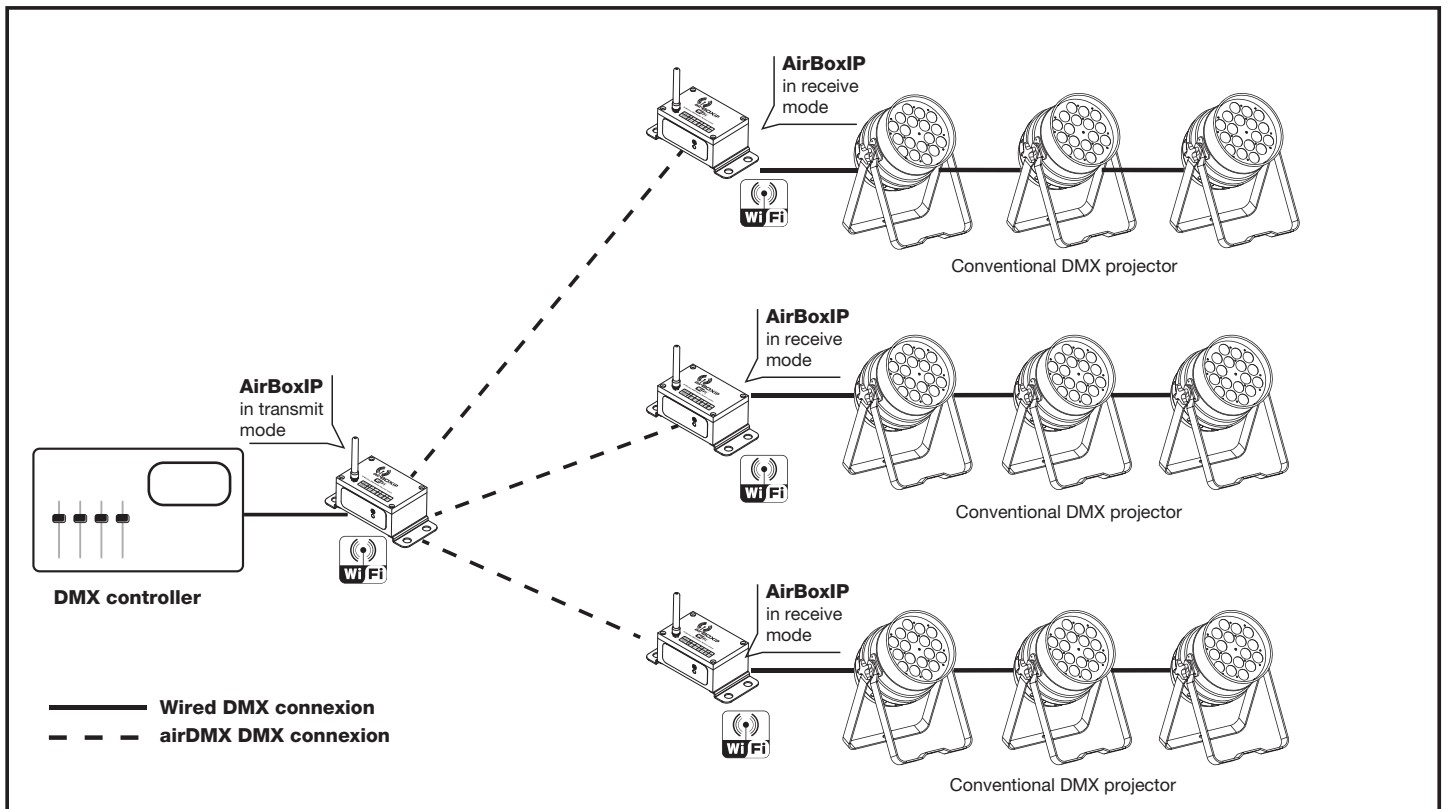
The LED WIRELESS INDICATOR has 3 different status when the units are communicating:

- 1 - LED constantly on : No DMX or WiFi signal.
- 2 - LED flashing in red : The projector is currently transmitting a signal.
- 3 - LED flashing in green : The projector is currently receiving a signal.

Note : The unit transmitting a DMX signal is in transmission mode.

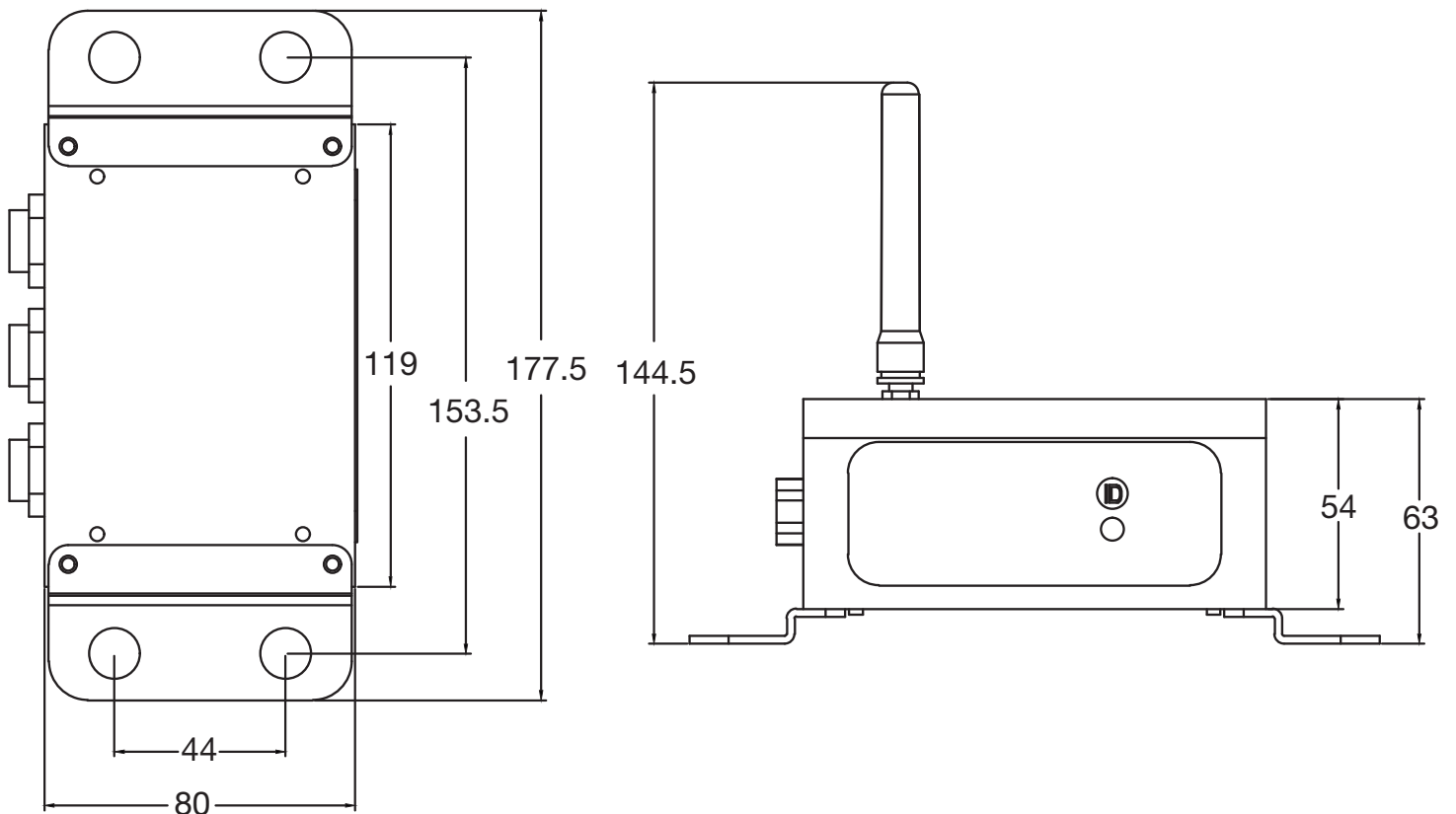
3.3 - Operating principle

The figure below describes an installation combining wireless systems with regular projectors.



4 - Technical specifications

| | |
|-----------------------|------------------------|
| Number of channels | 7 |
| Frequency range | 2,4 - 2,483 GHz ISM |
| Max power output | 20 dBm/100 mW |
| Receiving sensitivity | -94 dBm |
| Average range | 100 m in open space |
| Power input/output | 10 amps max |
| Power supply | 100/240V, AC~50/60Hz |
| Metal housing | Black finish |
| Removable square edge | Fixation with 2 screws |
| Net weight | 0.5 kG |



Because CONTEST® takes the utmost care in its products to make sure you only get the best possible quality, our products are subjects to modifications without prior notice. That is why technical specifications and the products physical configuration might differ from the illustrations.

Make sure you get the latest news and updates about the CONTEST® products on www.contest-lighting.com

CONTEST® is a trademark of HITMUSIC S.A.S - Zone Cahors sud - 46230 FONTANES - FRANCE